

Existing cabinets



New 12' x 12' cabinet



Removing existing SAN MARCOS BBQ cabinet & manufacturing new 12' x 12' cabinet. Installing on existing pipe structure. Not increasing height of sign. Staying at 41' in height.



State License 19CL 18159

258 TRADE CENTER DRIVE
NEW BRAUNFELS, TEXAS 78130
830.629.4411 FAX 830.629.8099
ussignnb@gmail.com • www.ussignsnb.com



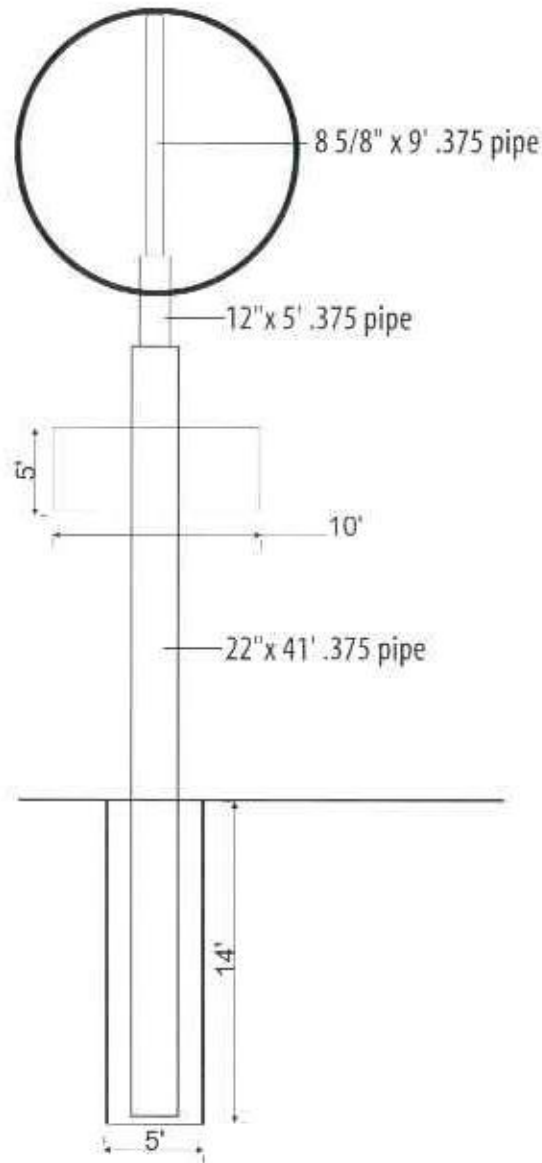
Client **BIRD DOG 1701 S IH 35 San Marcos**

Approval

Date

All drawings submitted are property of U.S. Signs until purchased by The Client. No alterations or distributions can be made without written consent from U.S. Signs

THIS SIGN IS INTENDED TO BE INSTALLED IN ACCORDANCE WITH THE REQUIREMENTS OF ARTICLE 600 OF THE NATIONAL ELECTRICAL CODE AND/OR OTHER APPLICABLE LOCAL CODES. THIS INCLUDES PROPER GROUNDING AND BONDING OF THE SIGN.



State License TSCL 18159
Provider of The Sign Shop, All Signage & Reproduction • P.O. Box 1144 • Canyon, TX 75755
 817-833-0227 • www.us-signs.com

258 TRADE CENTER DRIVE
 NEW BRAUNFELS, TEXAS 78130
 830.629.4411 FAX 830.629.8099
 ussignnb@gmail.com • www.ussignsnb.com



Client **BIRD DOG 1701 S IH 35 San Marcos**

Approval

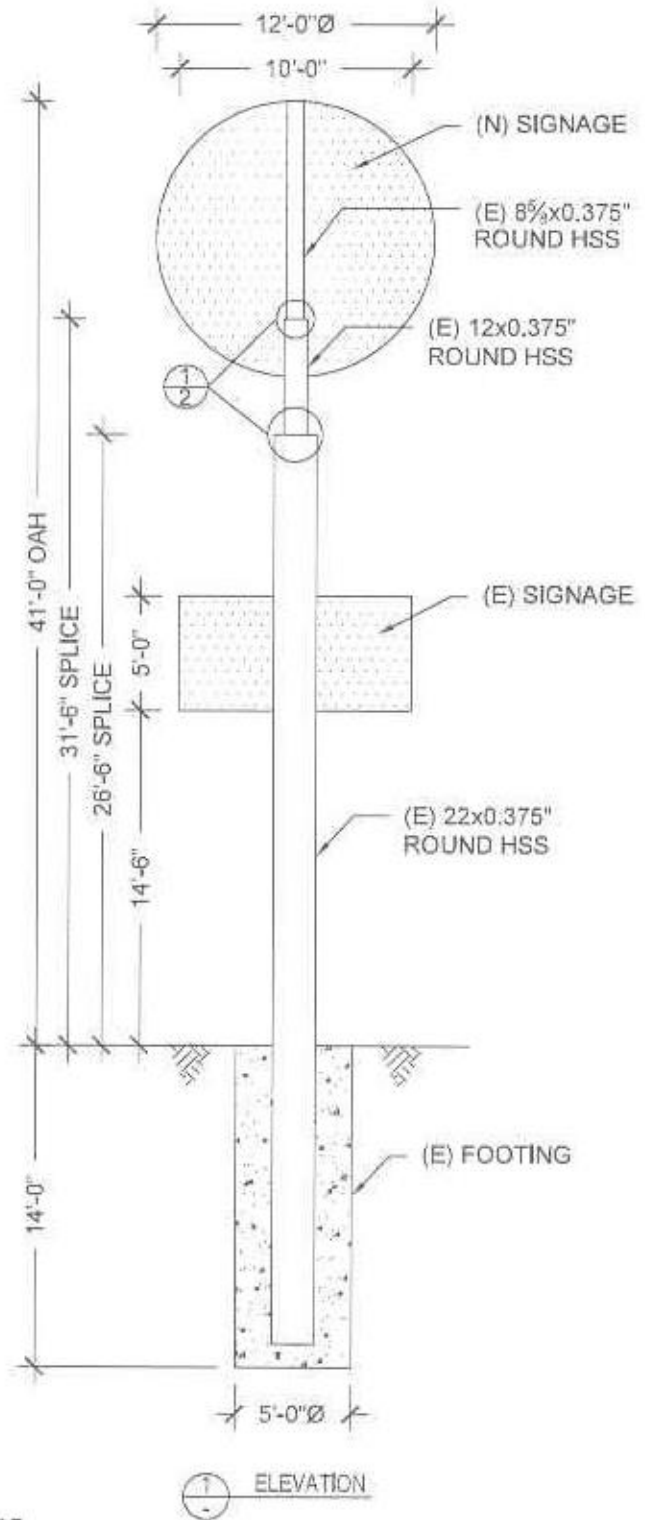
Date

All drawings submitted are property of U.S. Signs until purchased by The Client. No alterations or distributions can be made without written consent from U.S. Signs

THIS SIGN IS INTENDED TO BE INSTALLED IN ACCORDANCE WITH THE REQUIREMENTS OF ARTICLE 600 OF THE NATIONAL ELECTRICAL CODE AND/OR OTHER APPLICABLE LOCAL CODES. THIS INCLUDES PROPER GROUNDING AND BONDING OF THE SIGN.

PROJECT: BIRD DOG, 1701 S. IH. 35, SAN MARCOS, TX
PROJECT #: 46985
CLIENT: US SIGNS

DATE: 07/29/2024
ENGINEER: JD
LAST REVISED:

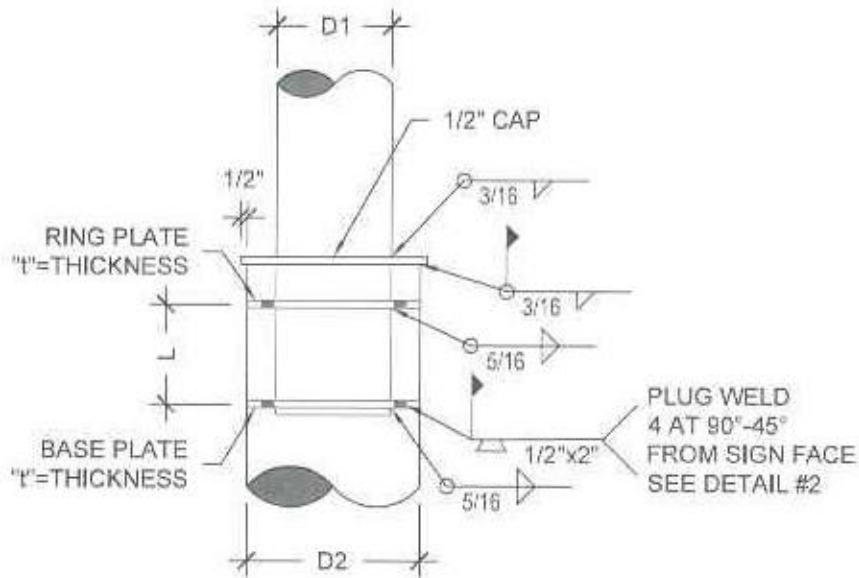


GENERAL NOTES

1. DESIGN CODE: IBC 2021
2. DESIGN LOADS: ASCE 7-16
3. WIND VELOCITY 110 MPH EXPOSURE C
4. ROUND HSS STEEL ASTM A500 GR. B, F_y = 42 KSI MIN.
5. LATERAL SOIL BEARING PER IBC CLASS 4 (150 PSF/FT)
6. PROVIDE PROTECTION AGAINST DISSIMILAR METALS
7. ALL DIMENSIONS TO BE VERIFIED PRIOR TO FABRICATION
8. ALL EXISTING ELEMENTS AND DIMENSIONS TO BE VERIFIED IN FIELD

PROJECT: BIRD DOG, 1701 S. IH. 35, SAN MARCOS, TX
 PROJECT #: 46985
 CLIENT: US SIGNS

DATE: 07/29/2024
 ENGINEER: JD
 LAST REVISED:



1
 SPLICE DETAIL

- NOTES:
1. THIS DETAIL MAY BE USED FOR PIPE AND SQUARE TUBE SECTIONS.
 2. $L = 1.5 \times D1$ OR 12", WHICHEVER IS LARGEST

THICKNESS (t)
 FOR D1 THRU 16" DIA., USE $t = 1/2"$ PL.
 FOR 16" DIA. < D1 < 30" DIA., USE $t = 3/4"$ PL.
 FOR D1 > 30" DIA., USE $t = 1"$ PL.



7-30-24

