



State of Oklahoma Contract

SW0797M

FY 2026

Preparer: Jason Roy

Base Model
Starcraft Allstar 7.3L V8 Gas 158" WB 14,500 GVWR

Base Model Price: \$ 107,012.00

Options: \$ 41,485.00

Other Available Options: \$ -

Unpublished Options: \$ 29,831.00



Vehicle Length	Lift Position	WC Positions	Total # Passengers	CDL Required
26'	Rear	2	16	Yes

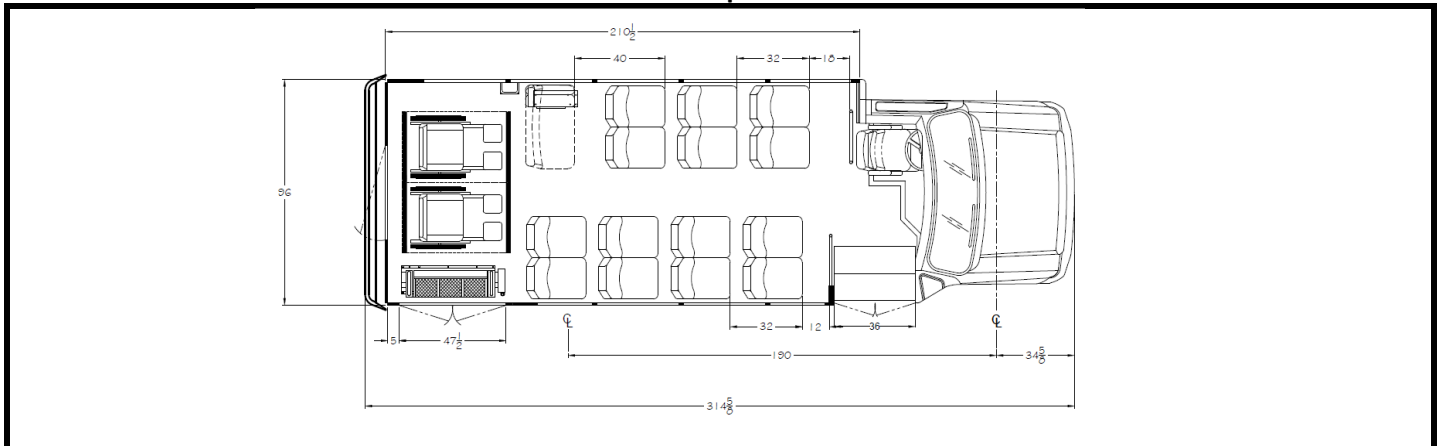
QTY Vehicles: Total Contract Price:

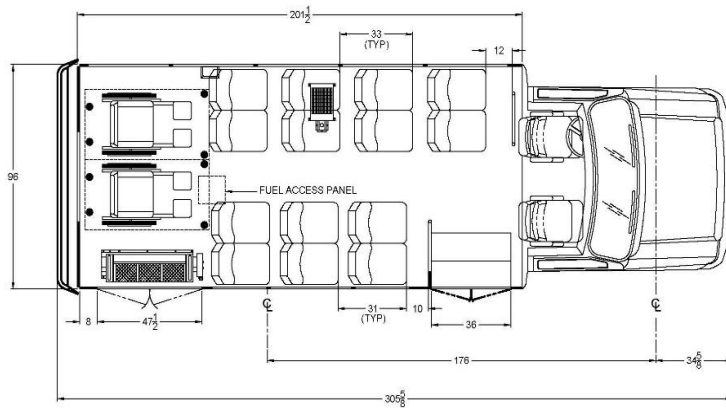
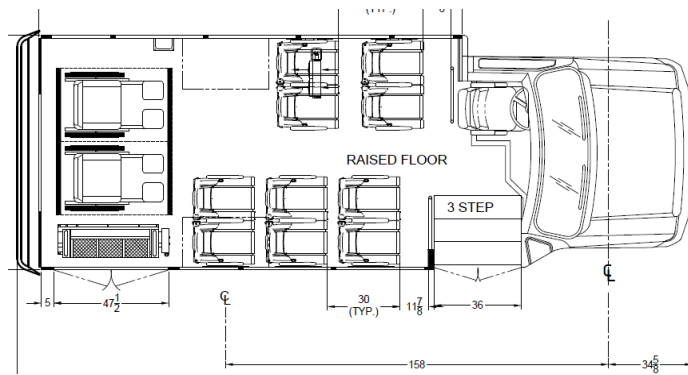
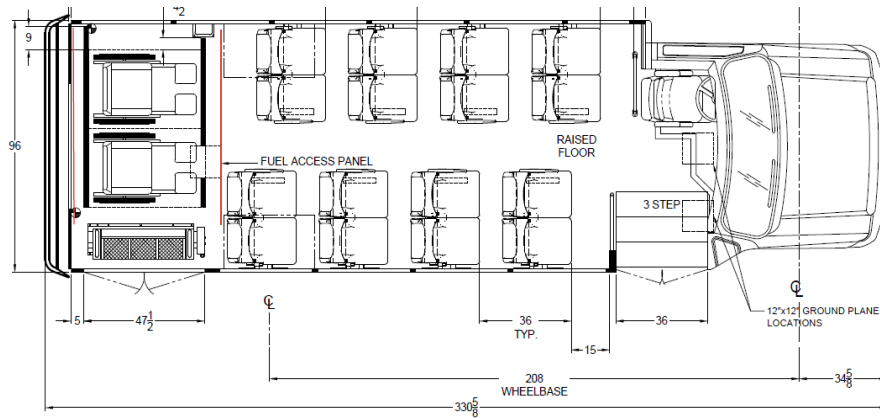
Per Vehicle Price: \$ 178,328.00

Customer Info

Customer:	City of San Marcos
Address:	2217 E. McCarty Ln San Marcos, TX 78666
Contact:	Amy Finn
Office Phone:	512-393-8487
Mobile Phone:	
E-Mail:	afinn@sanmarcostx.gov

Floorplan





Chassis

Ford E-450 chassis - 14,500 GVWR
7.3L V8 gasoline engine
6-Speed TorqShift Automatic Transmission
Twin I-Beam IFS front axle - 4,600 lbs.
Full-floating, Dana 10.75" HD rear axle - 9,600 lbs.
Power-assisted hydraulic front & rear disc brakes
4-wheel anti-lock brake system
210 Amp Alternator
Dual, maintenance-free batteries
55 Gallon Fuel Tank
Power steering with tilt wheel
Front coil springs - 4,600 lbs
Rear multi-leaf, single-stage rear springs - 9,600 lbs
HD gas shock absorbers
Front & rear stabilizer bars
LT225/75R16E All Season Tires
Dual rear wheels
Cruise control
Power driver seat pedestal
Driver sun visor
OEM chassis dash heater, A/C, and defroster
Chrome front bumper
Spare tire

Body

Starcraft Allstar 22' body
Pre-painted white galvanized steel sidewalls and skirts
Fiberglass front and rear caps
One-piece seamless FRP roof
80K BTU rear A/C system w rooftop condenser
FRP interior walls & ceiling
Gerflor Sirius Graphite flooring
Yellow step nosing
5/8 Exterior grade plywood floor
Driver running board
Rear tow hooks
Heated/Remote-controlled side mirrors
Rear mud flaps
65K BTU rear heater
Window ajar alarms for egress windows
Stainless battery tray - battery box
LED interior and exterior lights
Independent red brake & amber turn signal lights
Four (4) speakers for dash radio
Manual passenger entry door with full length glass
Overhead storage above driver/windshield
Ceiling grab rail
Entry grab rail (parallel to steps, left side)
Stanchion and modesty panel behind driver
Level 1 seat covers for driver
Mid High rigid passenger seats
Level 1 seat covers for passenger seats

Anti-vandal grab handles on aisle seats
Armrests on aisle side seats
Freedman USR retractable seat belts
Two (2) 12" seat belt extensions

ADA

Double wheelchair doors with spring tensioner door stays
Rear wheelchair lift (aft of rear axle)
Braun NL-919-2 wheelchair lift (800# capacity)
Intermotive Gateway interlock/fast idle
Two (2) Q'Straint QRT-360 L Track wheelchair securements with combo lap/shoulder belt
Eight (8) Q'Straint 18" webbing loops
Two (2) Q'Straint storage pouches
Q'Straint belt cutter
Two (2) priority seating signs - one at each front seat
Six (6) wheelchair decals (International Symbol of Accessibility)

Safety

5 lb. fire extinguisher
First aid kit
Body fluid kit
Emergency triangle kit
Fire Blanket
Backup alarm
Backup camera system with 7" monitor
Wide angle fresnel lens

Options

Qty	Description	FY 2026 List Price	QTY Total
1	Glaval body in lieu of Starcraft	\$ 2,600.00	\$ 2,600.00
1	LTV 16-2 floorplan (upgrade from base vehicle price)	\$ 7,195.00	\$ 7,195.00
*	ACCESSIBILITY OPTIONS		
1	1000 # Century NCL10003451FIB-2 WC Lift, Rear Door, 34" x 54" Platform	\$ 8,615.00	\$ 8,615.00
1	ADA Stop Request (includes pull cord, dual auditory tones, dual face sign w/LED for ADA request)	\$ 835.00	\$ 835.00
2	Touch Tape - each WC position	\$ 100.00	\$ 200.00
1	TDSS L Track (each)	\$ 140.00	\$ 140.00
*	INTERIOR VEHICLE OPTIONS		
1	Ground Plane for 2-Way Radio, Pull Cord Conduit (terminates at B pillar floor)	\$ 110.00	\$ 110.00
1	Raised Floor 3 step Flat to Front	\$ 675.00	\$ 675.00
1	Fuel Tank Access Plate	\$ 85.00	\$ 85.00
1	Door Activated Interior Lights	\$ 55.00	\$ 55.00
1	Ceiling Grab Rail	\$ 145.00	\$ 145.00
1	Add Tint Plexiglass Upper Panel	\$ 145.00	\$ 145.00
1	Adnik 6 Way Driver Seat Power Base	\$ 745.00	\$ 745.00
1	Install Vinyl Skirt on Power Seat Base	\$ 80.00	\$ 80.00
*	EXTERIOR VEHICLE OPTIONS		
1	Electric Entry Passenger Door in lieu of Manual	\$ 255.00	\$ 255.00
1	Exterior Entry Key	\$ 105.00	\$ 105.00
1	Full Body Paint 20' - 27' Models	\$ 8,350.00	\$ 8,350.00
1	Romeo Rim Rear Bumper	\$ 1,005.00	\$ 1,005.00
1	Valve Stem Extender	\$ 100.00	\$ 100.00
1	Rotary disconnect Switch	\$ 155.00	\$ 155.00
1	4" Amber LED Light Rear Flashing	\$ 255.00	\$ 255.00
1	LED Mid-ship Turning/Marker Lights	\$ 205.00	\$ 205.00
*	DESTINATION SIGNS		
1	TranSign Front LED Sign	\$ 4,420.00	\$ 4,420.00
1	TranSign Side LED Sign	\$ 2,525.00	\$ 2,525.00
*	CAMERA SYSTEMS - Factory Installed		
1	Cradle Point Router w/5 yr NET Cloud Plan	\$ 2,485.00	\$ 2,485.00
*	Additional Support		
1	Wiring Disgram "AS BUILT" on USB Flash Drive	\$ -	\$ -
*		Subtotal Options	\$ 41,485.00

CBS Unpublished Options

Qty	Description	FY 2026 List Price	QTY Total
1	Gloss Black Out Window Paint	\$ 1,628.00	\$ 1,628.00
1	Solid Windows ILO T-Sliders	\$ 1,028.00	\$ 1,028.00
7	Paint Wheels- Silver-PPG 2059 (AXALYA #5032F)	\$ 225.00	\$ 1,575.00
1	048-009-PA 500	\$ 419.00	\$ 419.00
2	Group 31 Battery- In Box (2)	\$ 295.00	\$ 590.00
1	Silicone Heater Hoses	\$ 312.00	\$ 312.00
1	Valeo TC 80 Rooftop 90K BTU AC-TM21 Compressor, Oil separator, Sight glass	\$ 19,975.00	\$ 19,975.00
1	Aeroquip Hoses & Fittings- From compressor to AC Unit	\$ 1,200.00	\$ 1,200.00
1	Fibre-dyne STOP LED Sign- Back of Bus	\$ 924.00	\$ 924.00
1	San Marcos Graphics	\$ 1,125.00	\$ 1,125.00
1	Kidde 366242 Fire Extinguisher Bracket	\$ 136.00	\$ 136.00
1	Stainless Steel Arms added to Rosco Mirrors	\$ 157.00	\$ 157.00
1	Altro Chroma Quattro Flooring ILO Base	\$ 1,142.00	\$ 1,142.00
1	Byk-Rak 2 Position -Red	\$ 3,992.00	\$ 3,992.00
1	Credit for Braun Century 800# Lift	\$ (7,695.00)	\$ (7,695.00)
1	Level 5- Crimson Red Seat Fabric	\$ 2,857.00	\$ 2,857.00
1	Upgrade all seats to 3PT GOES	\$ 7,000.00	\$ 7,000.00
1	Freedman 3PT Foldaway ILO standard double	\$ 2,057.00	\$ 2,057.00
1	Credit for base AC System	\$ (9,653.00)	\$ (9,653.00)
1	Freight - Duncan, OK to San Marcos, TX 354 miles @\$3.00 per mile	\$ 1,062.00	\$ 1,062.00

-

Subtotal Model 1 Unpublished Options:	\$ 29,831.00
--	---------------------